

MANIFOLD SYSTEM / SUPPLY (FLOW) AND RETURN



APPLICATION

An indoor central panel of system which connects ground exchangers with the heat pump installed inside of building.



WHAT IS THE MANIFOLD SYSTEM?

Manifolds are build to connect ground exchangers in one system. They may be used same by small and large installations depends on available space inside of the boiler room. Equiped with 1" (DN25) ball valves on its supply (flow) part and flowmetres on return part. Each manifold is fatory-build, individual customized and qualified by 5 bar pressure before dispatch.



PROPERTIES

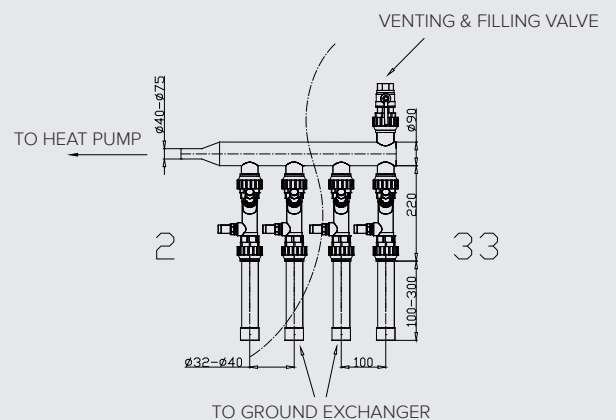
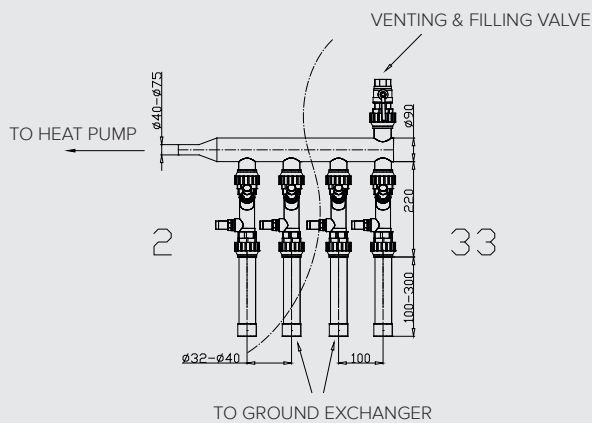
- ✓ Low flow resistance of the system
- ✓ Flow and pressure qualified
- ✓ Easy adjusting system
- ✓ Available as different models and types
- ✓ Angle flow metres with self-cleaning flow scale



MANIFOLD PIPE EQUIPED WITH SHUTT OFF VALVES / SUPPLY (FLOW) PART



MANIFOLD PIPE EQUIPED WITH AN ENGLE FLOW METRES / RETURN PART



PRODUCT:

- 2-port manifold pipe equiped with shutt off ball valves
- 3-port manifold pipe equiped with shutt off ball valves
- 4-port manifold pipe equiped with shutt off ball valves
- 5-port manifold pipe equiped with shutt off ball valves
- 6-port manifold pipe equiped with shutt off ball valves
- 7-port manifold pipe equiped with shutt off ball valves
- 8-port manifold pipe equiped with shutt off ball valves

PRODUCT:

- 2-port manifold pipe equiped with engle flow metres
- 3-port manifold pipe equiped with engle flow metres
- 4-port manifold pipe equiped with engle flow metres
- 5-port manifold pipe equiped with engle flow metres
- 6-port manifold pipe equiped with engle flow metres
- 7-port manifold pipe equiped with engle flow metres
- 8-port manifold pipe equiped with engle flow metres

TURBOCOLLECTOR®
BY MuoviTech®



MuoviTech Polska Sp. z o. o.
ul. Wimmera 31
32-005 Niepołomice
POLSKA



www.muovitech.com
M. +48 606 134 994
M. +48 668 441 162
M. +48 604 699 071

MuoviTech®